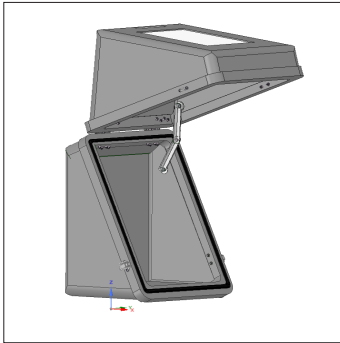


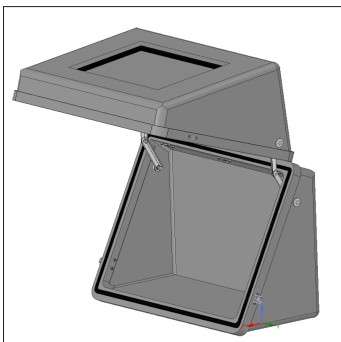
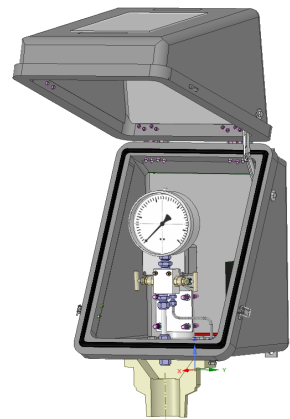
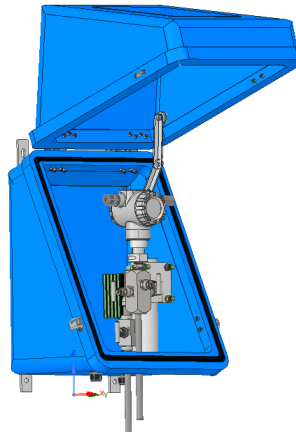
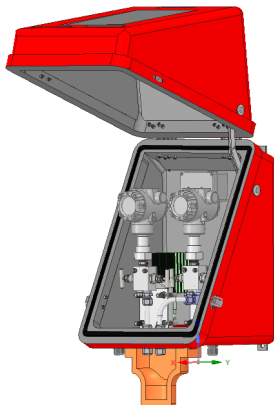
Rigid instrumentation protection

GRP enclosures series 22 - 44

DP Systems are mechanically moulded from Pursi with the insulation intgral in the wall of the enclosure



Series 22-1A		
Weight (kg)	Dimensions	Description
15	Width: 400 mm	cuboid-shaped with diagonal split between lid and base.
	Height: 500mm	
	Depth: 400 mm	



Series 44-1A		
Weight (kg)	Dimensions	Description
18	Width: 700 mm	Longitudinal shape with diagonal split between lid and base.
	Height: 430 mm	
	Depth: 400 mm	

